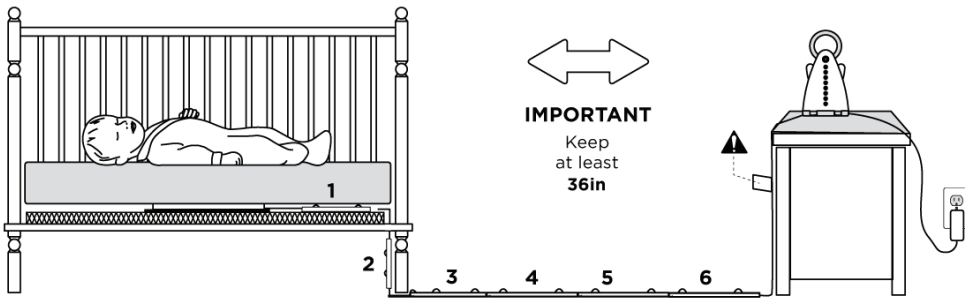


# SENSOR PAD CORD COVERING INSTALLATION SHEET

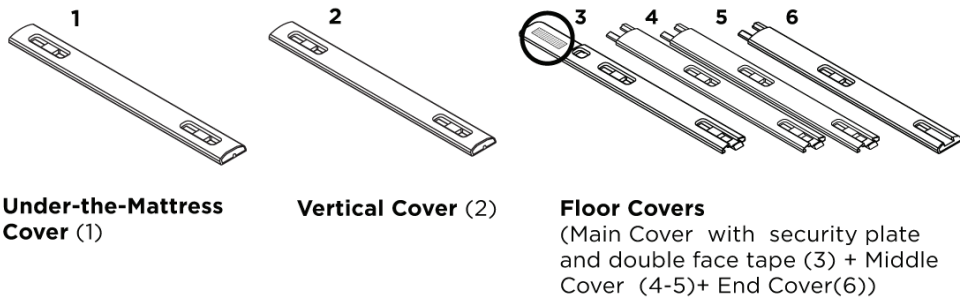


**WARNING**

**STRANGULATION HAZARD**

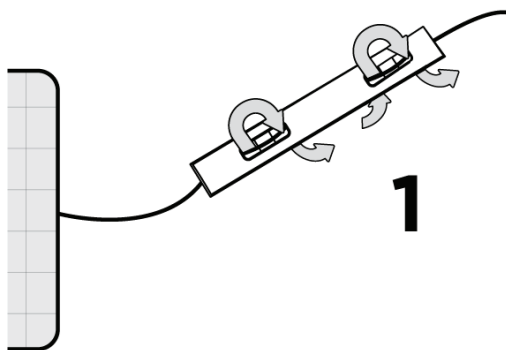
Children have STRANGLER with cords. NEVER use sensor pad without the protective covering. Check protective covering before each use to ensure it is securely placed under the leg of the crib. Discontinue use of Sensor Pad if protective covering is damaged or broken. This product is not a toy. Never allow children to play with it.

**IN THE BOX:**



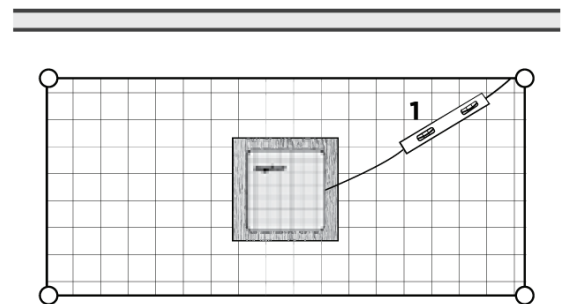
**STEP 1 - INSTALL THE UNDER MATTRESS COVERS (1)**

- 1) Place a hardboard larger than the Sensor Pad surface area between the mattress support and the Sensor Pad (see main manual for details).
- 2) Cut the warning label located on the Sensor Pad cord.
- 3) Thread the Sensor Pad cord into the Under-the-Mattress Covers. Place the under the mattress cover approximately 3 inches from the edge of the mattress support.



- 4) Place the Sensor Pad **in the center of the crib** - printed side up - on top of the hardboard.

- 5) Place both covers between Sensor Pad and the recommended crib leg as shown.



**Recommended crib leg:** Use the crib leg by the wall closest to the Nursery Unit and run the cord covers along the wall (Fig 1). In cases where the Nursery Unit is across the room, place the Under-the-Mattress Covers to the leg closet to the Nursery Unit to position the cover across the room (fig 2). It is always preferable that the cord cover is along a wall.

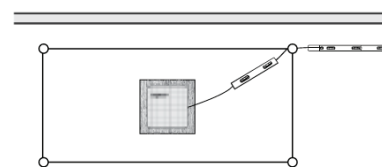


Fig 1

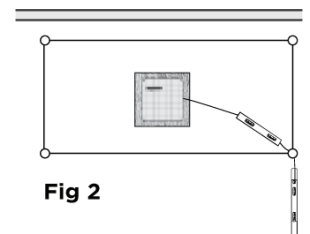
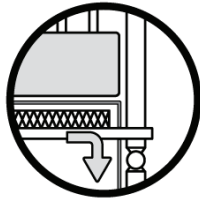


Fig 2

- 6) Place the mattress on top of the Sensor Pad and bring the cord down along the backside's of the crib leg **between the mattress support and the inside edge of the crib.**

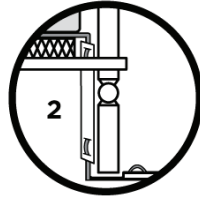


- 7) Note where the cord reaches the floor to determine approximately where the Main Cover (3) of the Floor Covers will start on the floor.

### STEP 2 - INSTALL THE VERTICAL COVER (2)

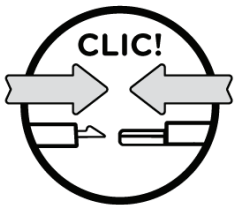
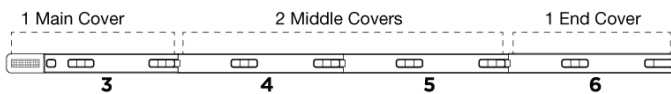
- 1) Thread the Sensor Pad cord through the Vertical Cover (2).

- 2) Position the Vertical Cover on the cord, approximately in the center between the mattress support and the floor and along the backside of the crib leg **between the mattress support and the inside edge of the crib.**

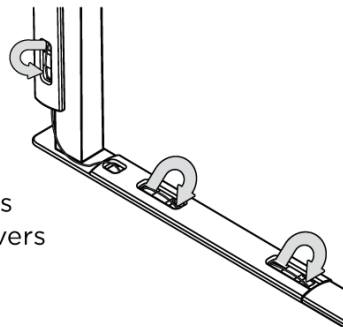


### STEP 3 - INSTALL THE FLOOR COVERS (3-4-5-6)

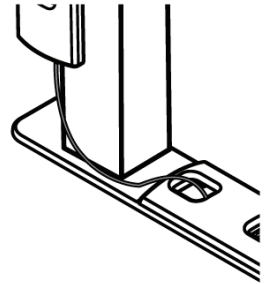
- 1) Assemble the Floor Covers by snapping them together



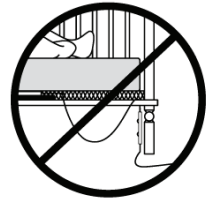
- 2) **Thread** the Sensor Pad's cord into the Floor Covers as shown.



- 3) Peel off the double-sided tape on the flat portion of the Main Cover (3www) and place the Security Plate underneath the crib leg.



- 4) Remove any cord slack by threading through the covers. Make sure there are no loose cords.



### STEP 4 - COMPLETE THE INSTALLATION

- 1) Install the Nursery Unit on a flat, stable surface facing the crib at a distance of at least 36".
- 2) Stick the new warning label on the sensor pad cord approximately 4 inches from where it plugs into the Nursery Unit.
- 3) Plug the Sensor Pad's cord into the Nursery Unit.

### IMPORTANT:

- When re-positioning the mattress support as your child grows, slide the vertical stick downward so it remains in the approximate center and thread the cord through the shielding to eliminate any additional cord slack created.
- The Sensor Pad is not designed for use with adults, children or infants older than 24 months.
- Once you have finished using the Sensor Pad, remove it from the baby's crib and store it away.
- **BEFORE FIRST TIME USE:** To test that the unit is ready for use, refer to instruction manual on how to test that the installation has been done properly.

### ANY QUESTIONS OR COMMENTS:

contact Angelcare customer service  
angelcare@cdecinc.ca or Toll-Free 1-877-281-8827